

Hancock No. 7660

1.6 gpf / 6.0 lpf Vitreous China



(866) 457-5785 • (812) 649-9920

Fax (812) 649-9930

7660 Hancock Elongated Front Toilet

- Reduce water consumption and save money
One flush performance at 1.6 gpf every time.
- 1 -7/8" glazed trapway passes a 1-3/4" ball which results in smooth discharges without clogging after each flush.
- Flush valve 2".
- MaP rating 650g.
- Low profile toilet height of 29-1/4" ideal for retrofit applications.
- Elongated front bowl for comfortable use and improved hygiene.
- Rim Height 15-3/8" with seat on for comfortable use.
- 12" Rough in .
- Vitreous china for easy cleaning.
- Easy installation.
- 2 bolt cap covers.
- Limited 5 year warranty on vitreous china and one year warranty on tank fittings.

Colors Available: White, Biscuit and Bone

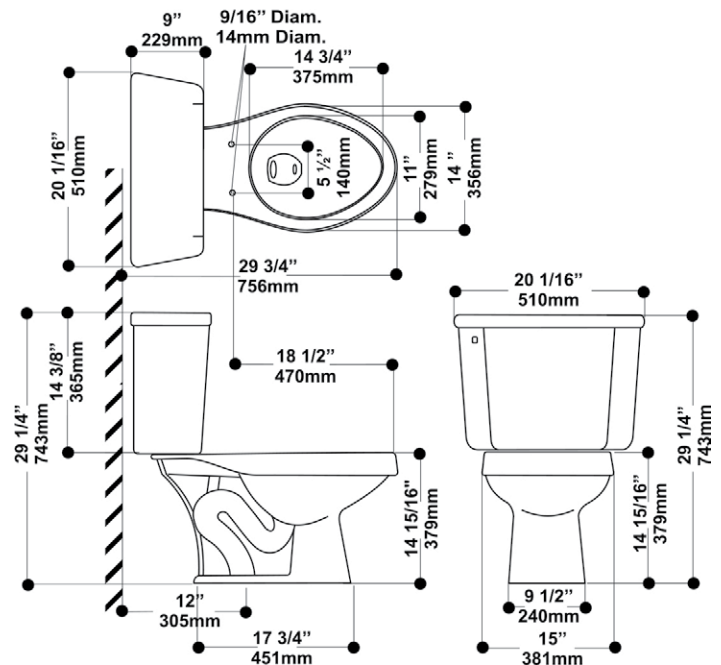
Recommended Seats: Bemis 170 AR (closed front, with cover)
Milan 660-Intercommerce (open front, less cover)



Model Numbers:

- 7660-12" Rough-in (#7 tank, #660 bowl)
- 9660-10" Rough-in (#9 tank, #660 bowl)
- 2660-14" Rough-in (#2 tank, #660 bowl)

Nominal Dimensions: 29-3/4" x 20-1/16" x 29-1/4"



Notes:

- This toilet is designed for a 12" (305 mm) rough installation.
- All fixture dimensions shown are nominal and may vary within industry accepted tolerances established BYASME / CSA Standard.
- Fixture only, seat, cover, and wax ring not included.
- Information and measurements shown are subject to changes or cancellation.
- Peerless Pottery assumes no responsibility or liability for local or state regulations different from federal standards.
- It is the responsibility of the installer to comply with local codes and standards prior to installation of bathroom fixtures.